

Fig. 1 - Side view

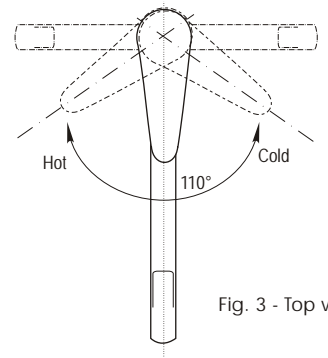


Fig. 3 - Top view

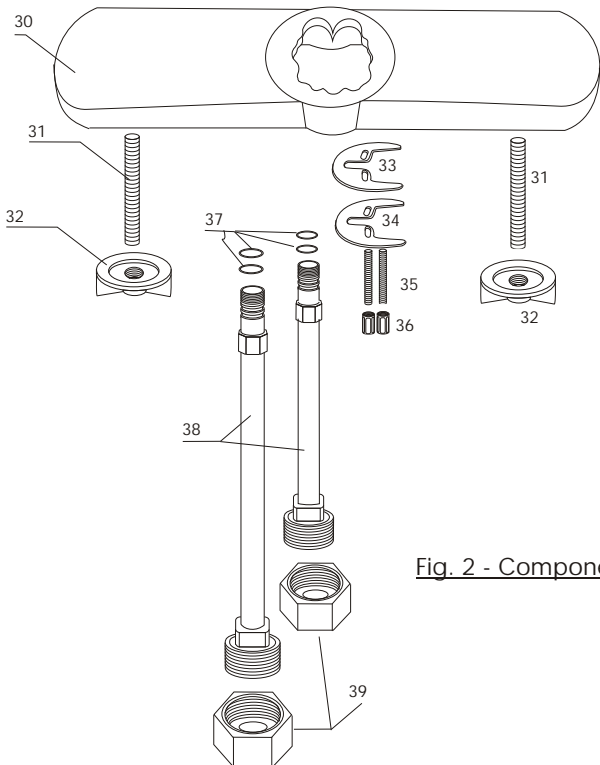


Fig. 2 - Components

Table 1 - Component Description

Component	Material Description
1	Set screw plug Plastic (PE)
2	Handle Set screw, M5x8 Brass #59
3	Handle Zinc alloy
4	Cartridge Cap Brass #59
5	Cartridge Cam Brass #59
6	Ceramic Cartridge C5799021(see sep. drawings)
7	Cartridge Enclosure Brass #59
8,22	Gasket Plastic (ABS 757)
9,11	O-rings Rubber (Nitrile NBR70)
10	Cartridge Diverter Cylinder Brass #59
12	Faucet Spout Brass #59
13	Aerator Gasket Rubber (Nitrile NBR70)
14	Aerator Plastic Mesh Plastic #24 (PE)
15-19	Aerator Mesh Stainless steel (AISI304L)
20	Aerator interior holder Stainless steel (AISI304L)
21	Aerator exterior holder Brass #59
23	Spout seat Cam Brass #59
24	Slip O-ring Rubber (Nitrile NBR70)
30*	3-hole mounting deck Zinc alloy
31*	Deck threaded bolts Brass #59
32*	Lock nut Plastic (ABS 757)
33	Spout seat rubber gasket Rubber (Nitrile NBR70)
34	Spout seat bolt Brass #59
35-36	Spout seat nut set Brass #59
37	O-rings Rubber (Nitrile NBR70)
38	Cold/Hot tail tubes Brass #59
39	Coupling nuts Brass #59

5502

"S" spout Kitchen Faucet, 8" c-c (with deck)
or Single hole (without deck)



SENRY
Faucets®

www.senry.com ©2002-2004