

Fig. 2 - Components

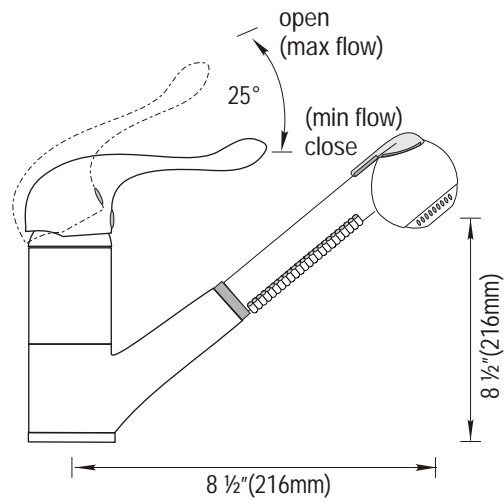


Fig. 1 - Side view

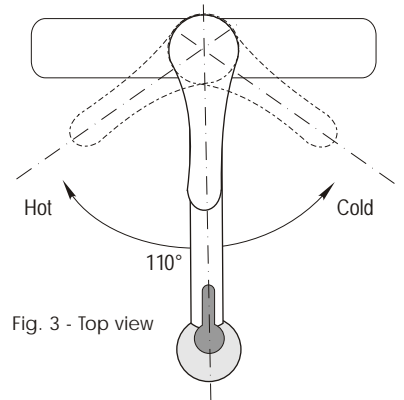


Fig. 3 - Top view

Table 1 - Component Description

Component	Material Description
1	Set screw plug Plastic #24 (PE)
2	Handle Set screw, M5x8 Brass #59
3	Handle Zinc alloy
4	Cartridge Cap Brass #59
5	Cartridge Cam Brass #59
6	Ceramic Cartridge C5799021(see sep. drawings)
7	Cartridge Enclosure Brass #59
8,18	Gasket Plastic (ABS 757)
9	Pull-up diverter cylinder Brass #59
10,12	O-rings Rubber (Nitrile NBR70)
11	Cartridge Diverter Housing Brass #59
13	Faucet Spout seat Brass #59
14	Spout hose cap Plastic (PE)
15	Flexible hose - Interior tube Rubber (Nitrile NBR70)
	Exterior enclosure Stainless steel (AISI304L)
16	O-ring Rubber (Nitrile NBR70)
17	Sprayer Plastic (ABS 757)
19	Lower Spout seat cam Brass #59
20	Gasket Rubber (Nitrile NBR70)
30*	3-hole mounting deck Zinc alloy
31*	Deck threaded bolt, 2 pcs. Brass #59
32*	Lock nut, 2 pcs. Plastic (ABS 757)
33	Spout seat rubber gasket Rubber (Nitrile NBR70)
34	Spout seat bolt Brass #59
35-36	Spout seat nut set Brass #59
37	O-rings Rubber (Nitrile NBR70)
38	Cold/Hot tail tubes Brass #59
39	Coupling nuts Brass #59

5507

Pull-out Kitchen Faucet, 8" c-c (with deck) or Single hole (without deck)



SENRY
Faucets®

www.senry.com ©2002-2004